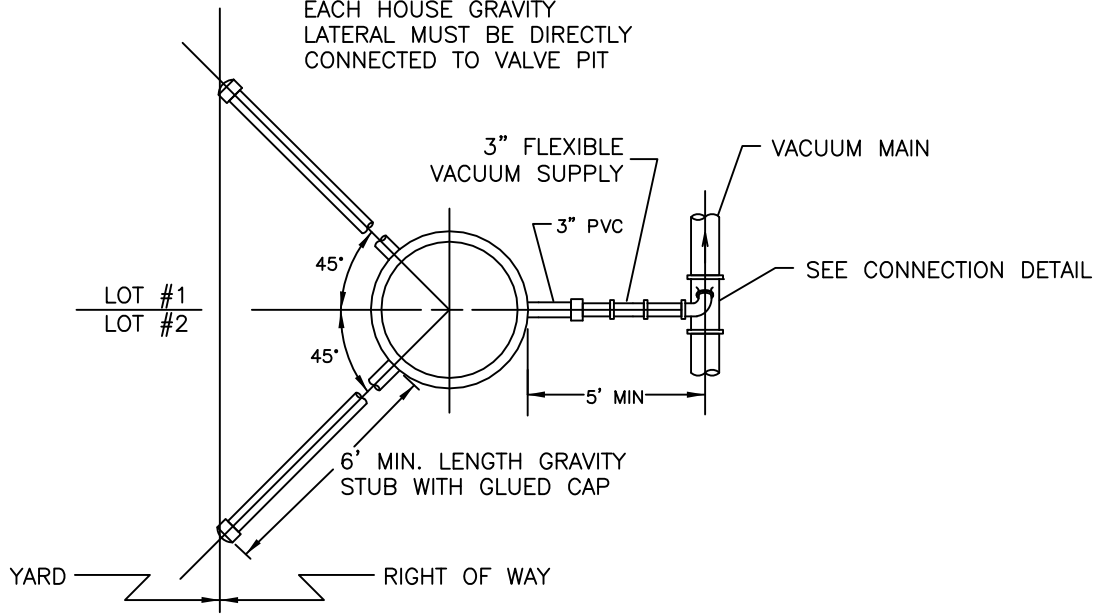
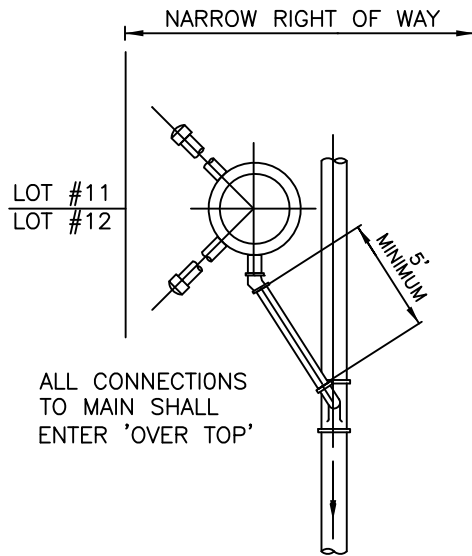


IMPORTANT!

EACH HOUSE GRAVITY
LATERAL MUST BE DIRECTLY
CONNECTED TO VALVE PIT



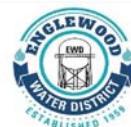
VALVE PIT WITH 2 CONNECTIONS



VALVE PIT IN NARROW R-O-W

LAST REVISION	FEB. 2019
CHECKED	MM
APPROVED	KRL

NARROW ROW



ENGLEWOOD WATER DISTRICT
201 SELMA AVENUE
ENGLEWOOD, FLORIDA 34223